

VIMU

Product Brief



Condor Pacific's Vibration Isolated IMU (VIMU) is a field proven system incorporating reliable mechanical gyroscopes and MEMS accelerometers, used for Missile Flight Control.

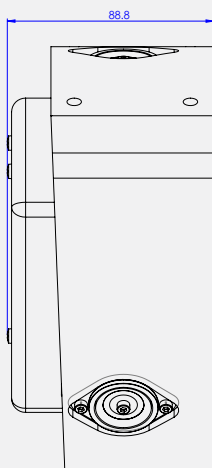


Parameter	Value	Units
Gyro full scale	100,200	°/sec
Accelerometers full scale	25,25,25,2	g
Gyro scale factor, RT	1	%
Gyro scale factor, OTR	3	%
Gyro Zero offset	0.3	°/sec
Gyro linearity	0.5	%
Accelerometer scale factor	0.75	%
Accelerometer Zero offset	25, 10	mg
Weight	2.1	Kg
Start time	3	Sec
Mass Unbalance	0.05	deg/sec/g
Hysteresis, Gyro	0.04	°/sec
Vibration	0.4	g ² /Hz to 200 Hz
Temperature	-30 to 70	°C

All parameters in table are Max.

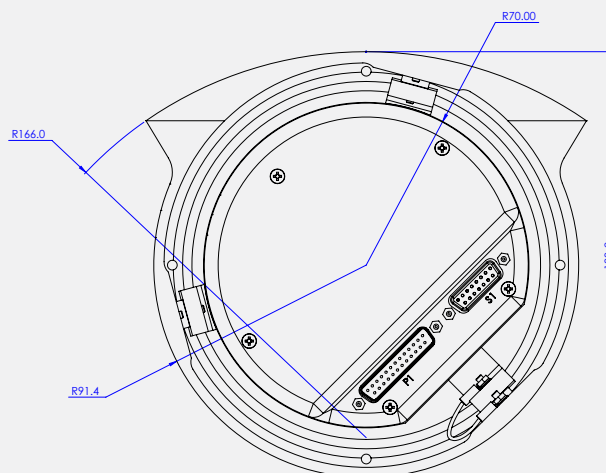
Field-proven solution

Thousands of VIMUs have been tested, deployed and qualified.



Tailored offering

3 mechanical Gyroscope axes, 4 MEMS accelerometer axes and Temperature sensor with Analog outputs ± 10 V DC.



High vibration and shock resistance performance

Designed for military and defense use (up to 25 g RMS).

Condor Pacific maintains decades of expertise and experience in developing and manufacturing a wide range of high-quality gyroscopes and inertial systems for the defense sector. Leveraging a seasoned team of management, R&D, production and quality assurance experts, Condor Pacific possesses the know-how to meet the most stringent customer requirements.

Condor Pacific Ltd.
6 Kiryat Mada St.,
P.O. Box 45099,
Jerusalem, 91450, Israel
www.condorpacific.co.il

